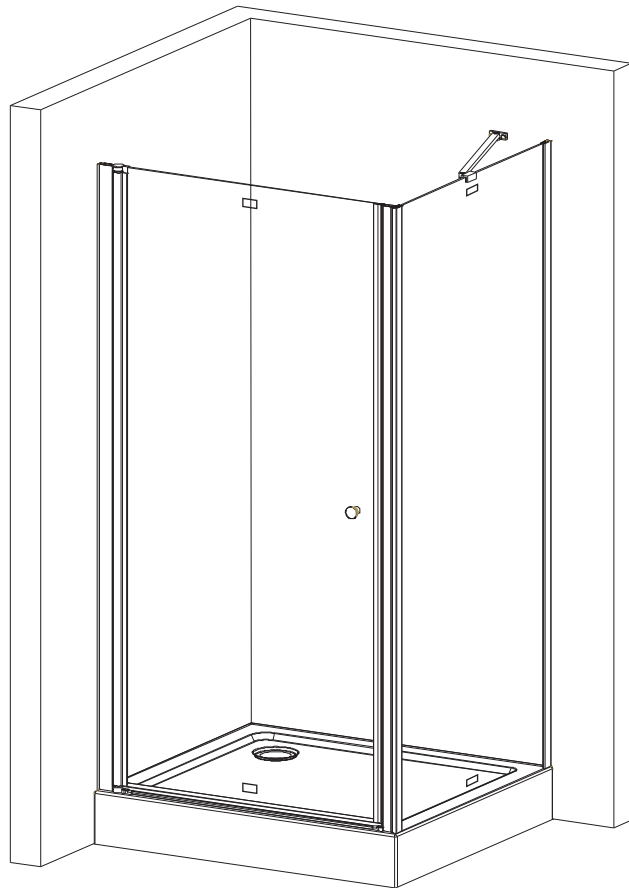


Instructions of Shower Room



S03130A/S03130B/S03130C

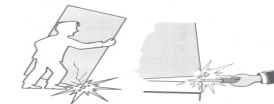
Dear customer:

Sincerely thanks for selecting our shower room, the series product made of high quality material, with the characteristics of simple, natural, comfortable, practical, excellent in quality and reasonable in price etc. It is the newest developed design of leisure product. It will bring you an infinite relaxation, and infinite pleasure.

Please examine whether the accessories lack or not according to the whole picture, and analyze the structure and the installation position of product. Then carry on installing according to the explanations as following instruction.

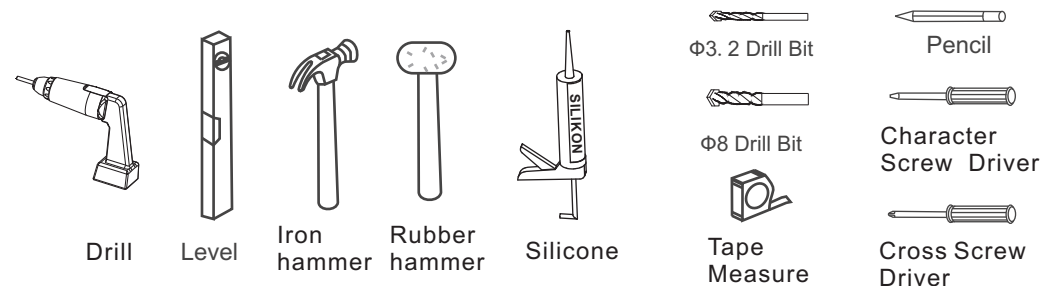
You are welcome to visit our web www.gemy.cn for more information.

ATTENTION

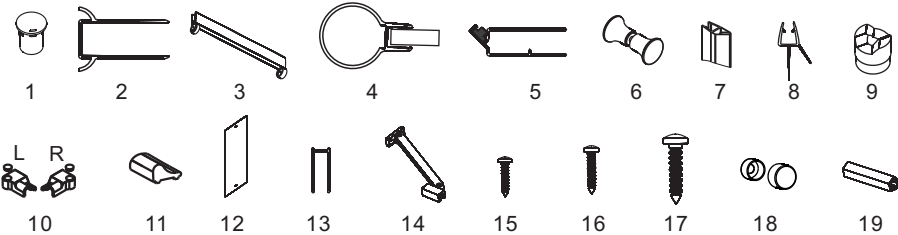
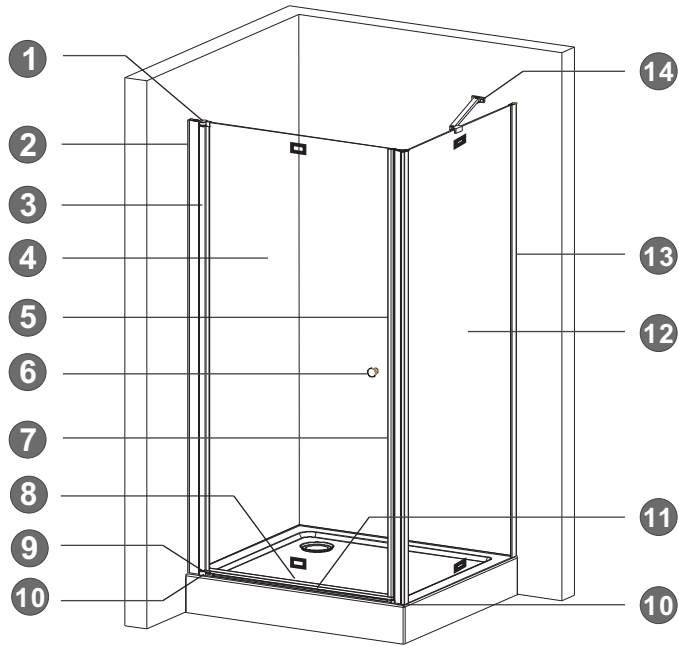


1. Don't let child or costive one use the shower room alone, otherwise may cause injury.
2. It is easy to slip because of the soap water in the shower base, please be careful!
3. To avoid fire or damage, please don't put burning cigarette near the sit, shower base or fall ash in.
4. Don't put stools in shower base and stand on it.
5. To avoid scratch, please don't put tools like shaver blade in shower base.
6. Please don't use acid, alkali, drugs (e.g. Hydrochloric Acid) and acetone impregnant, cleansing powder and abrasive to clean the shower room, because the impregnant mentioned above is bad for health.

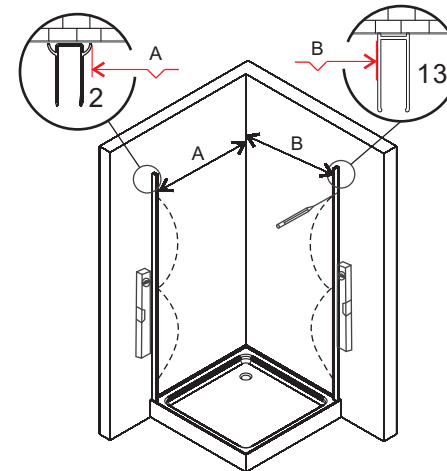
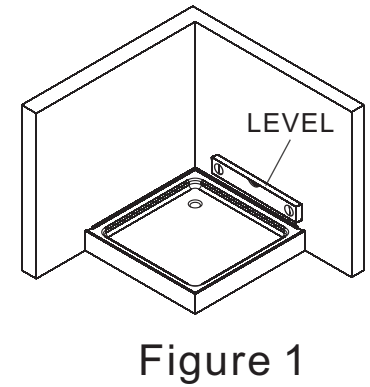
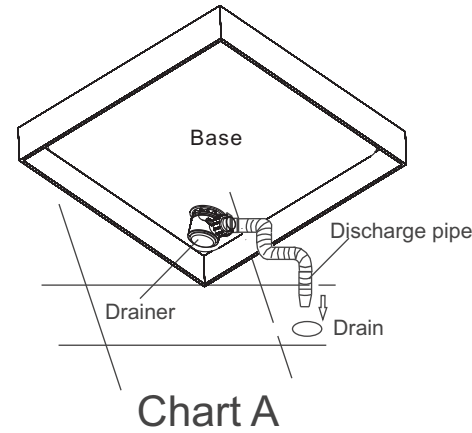
Installation Tools



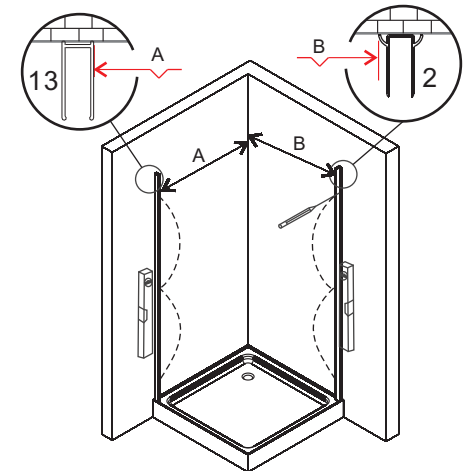
The structure of the shower



No.	Name	Quantity	No.	Name	Quantity
1	Top axes	1	11	H10 Profile	1
2	Lc201219 profile	2	12	Side panel glass	1
3	Lc20124 profile	1	13	Lc201236 profile	1
4	Lc27013 profile	1	14	Support rod	1
5	Lc201229 profile	1	15	ST4*10	16
6	Handle	1	16	ST4*14	4
7	Magnetic seal	1	17	ST4*30	14
8	Profoot-water seal	1	18	cover cap	12
9	Bottom axes	1	19	Wall plug	14
10	180 degrees plastic parts	2			



SIZE(mm)	A	B
800X800	758-768	778-783
900X900	858-868	878-883
1000X800	758-768	978-983



SIZE(mm)	A	B
800X800	778-783	758-768
900X900	878-883	858-868
1000X1000	978-983	758-768



Figure 2

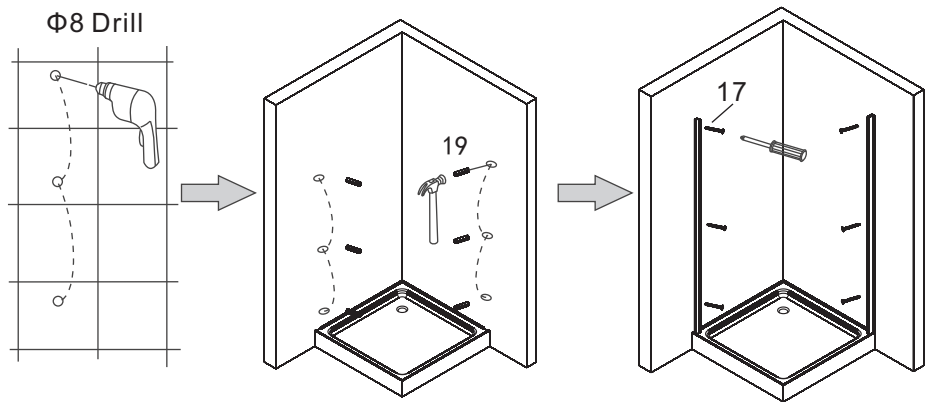


Figure 3

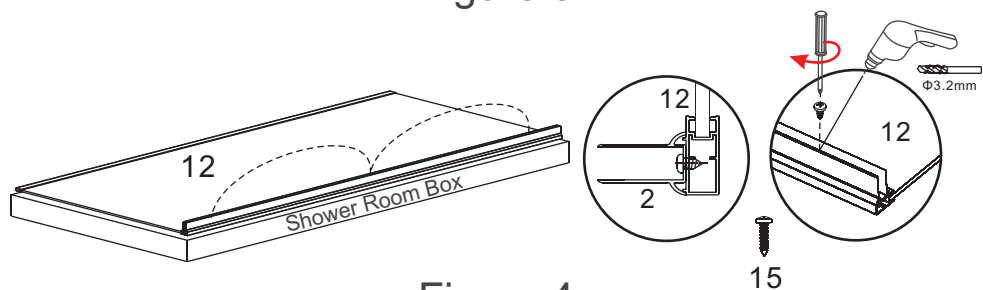


Figure 4

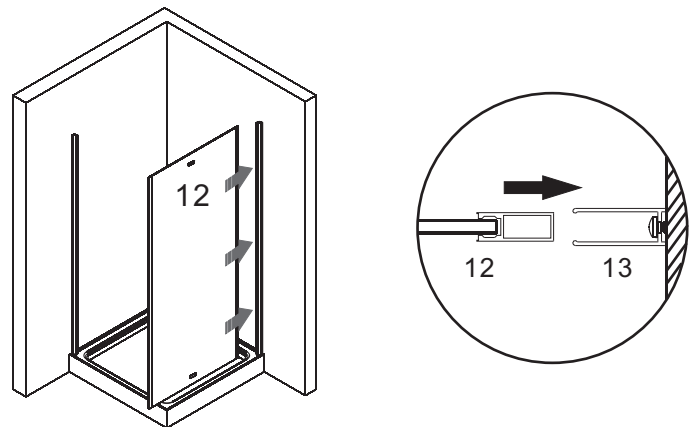


Figure 5

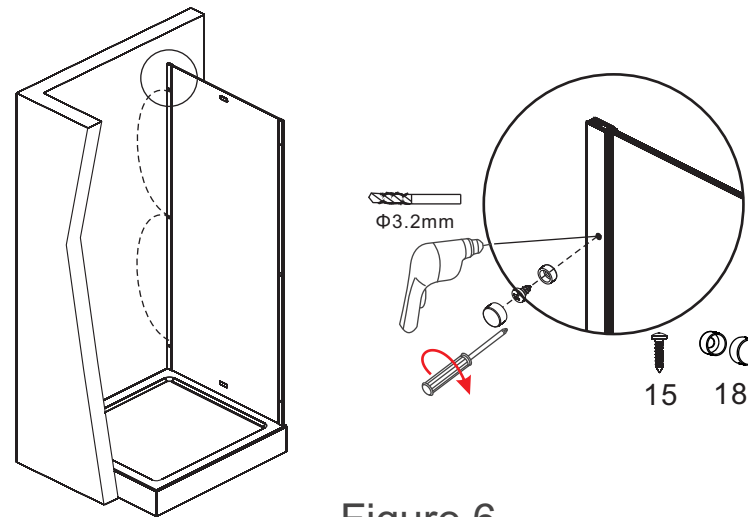


Figure 6

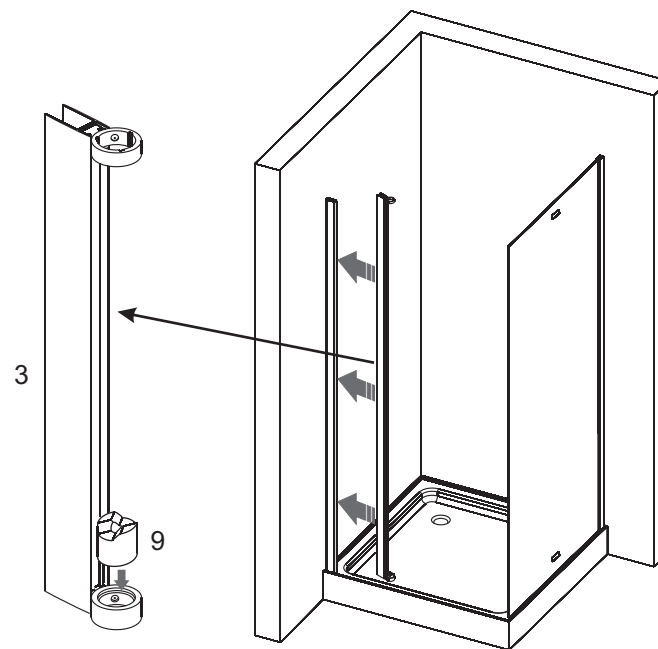


Figure 7

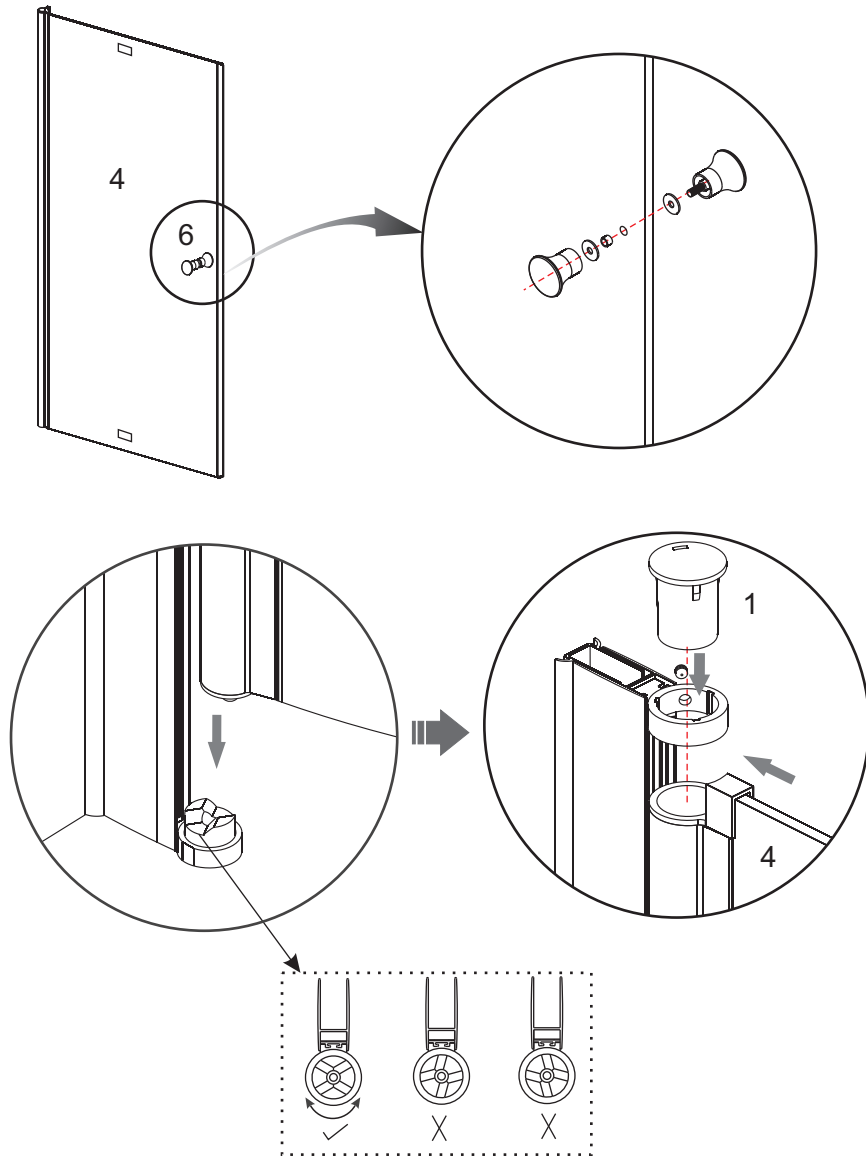


Figure 8

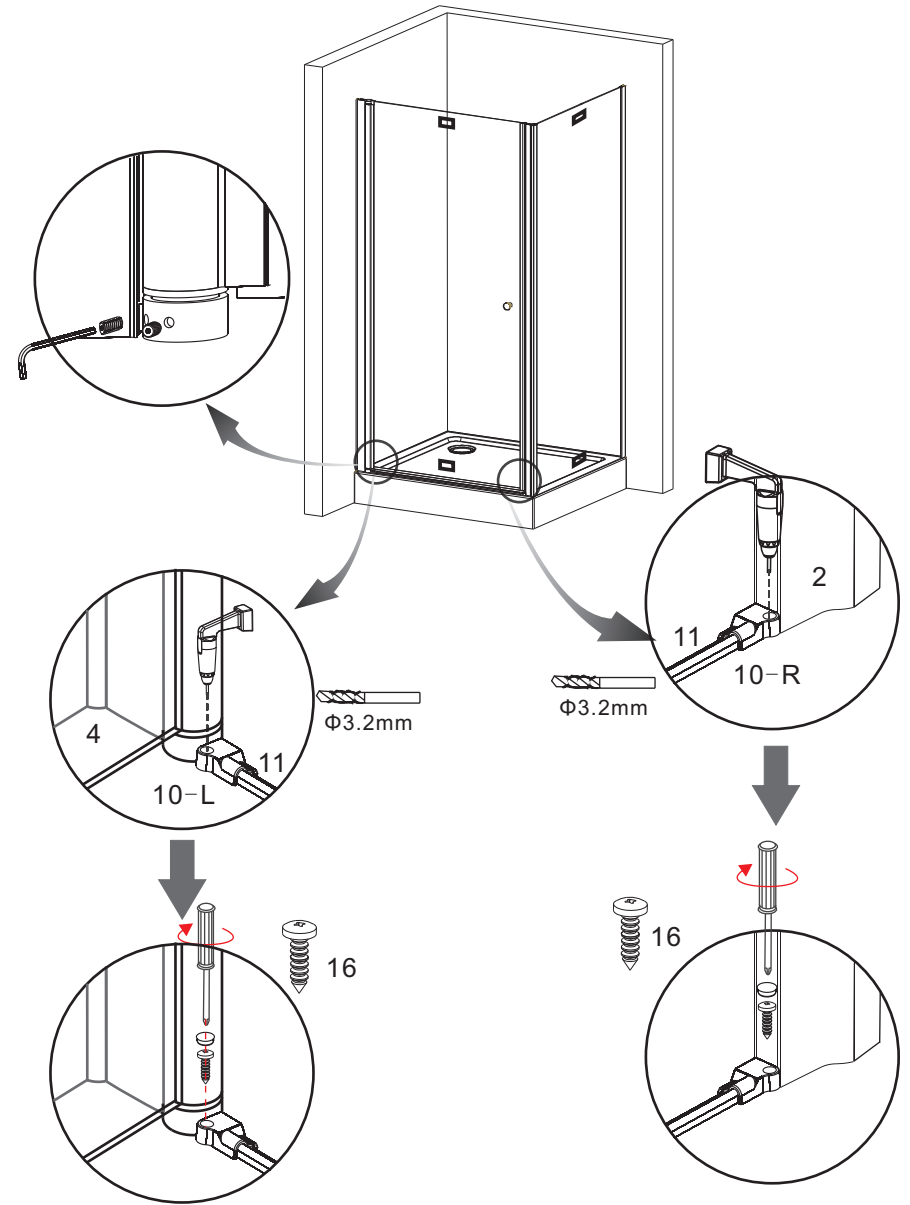


Figure 9

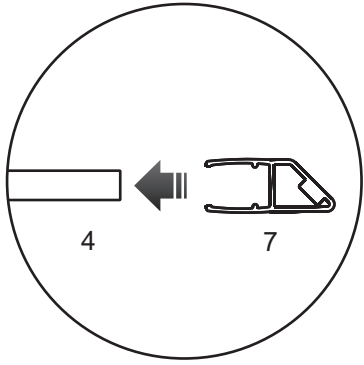


Figure 10

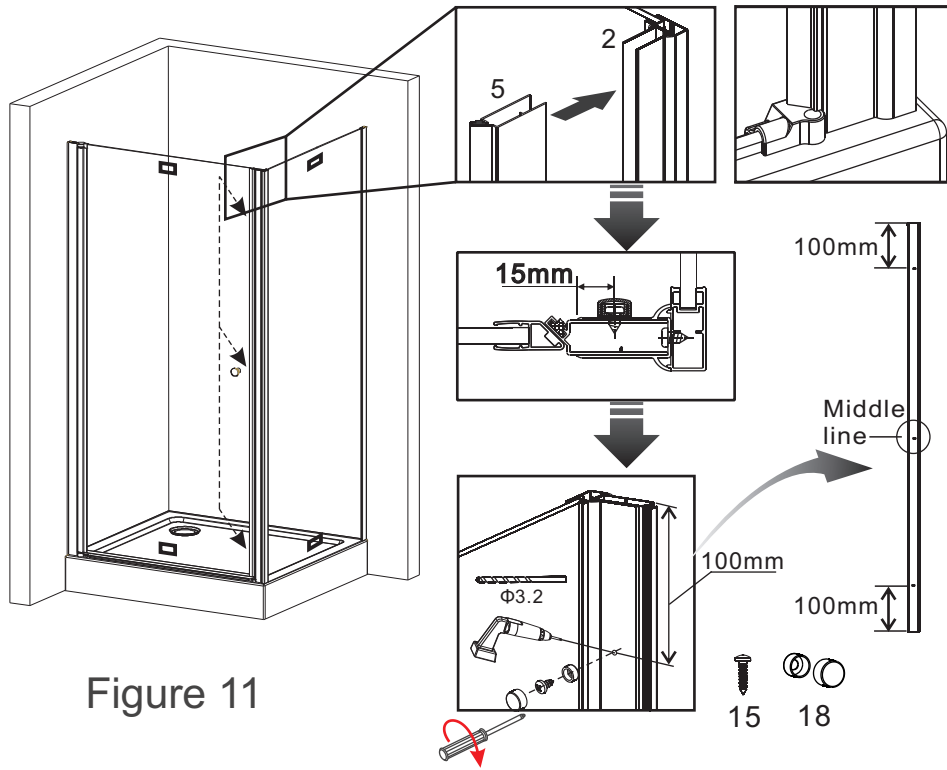
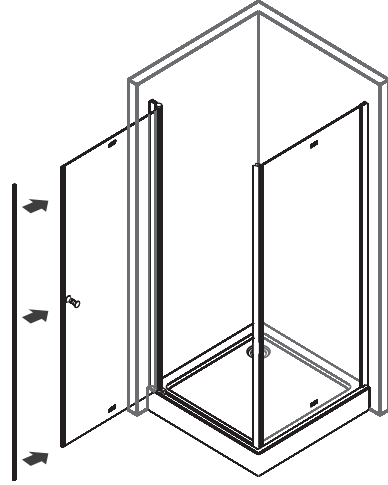


Figure 11

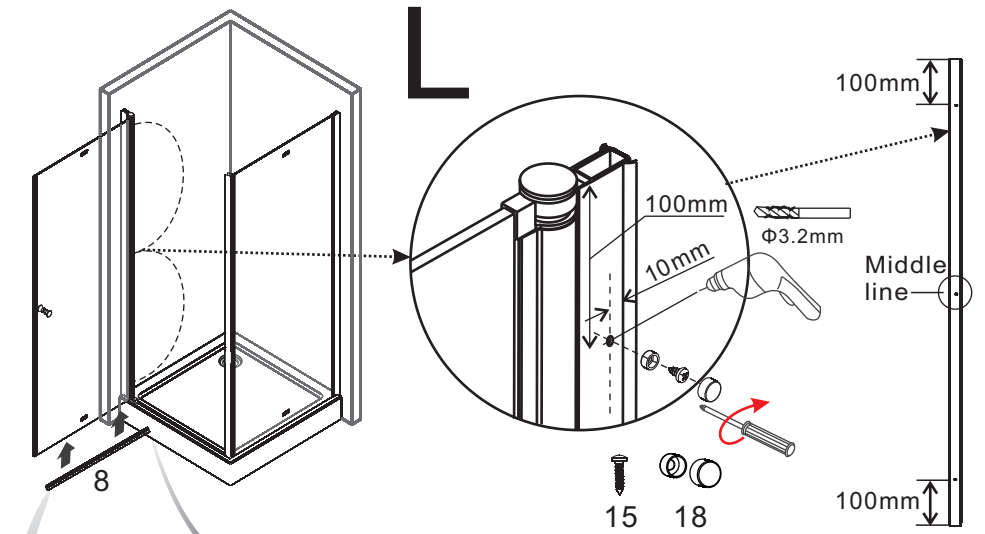
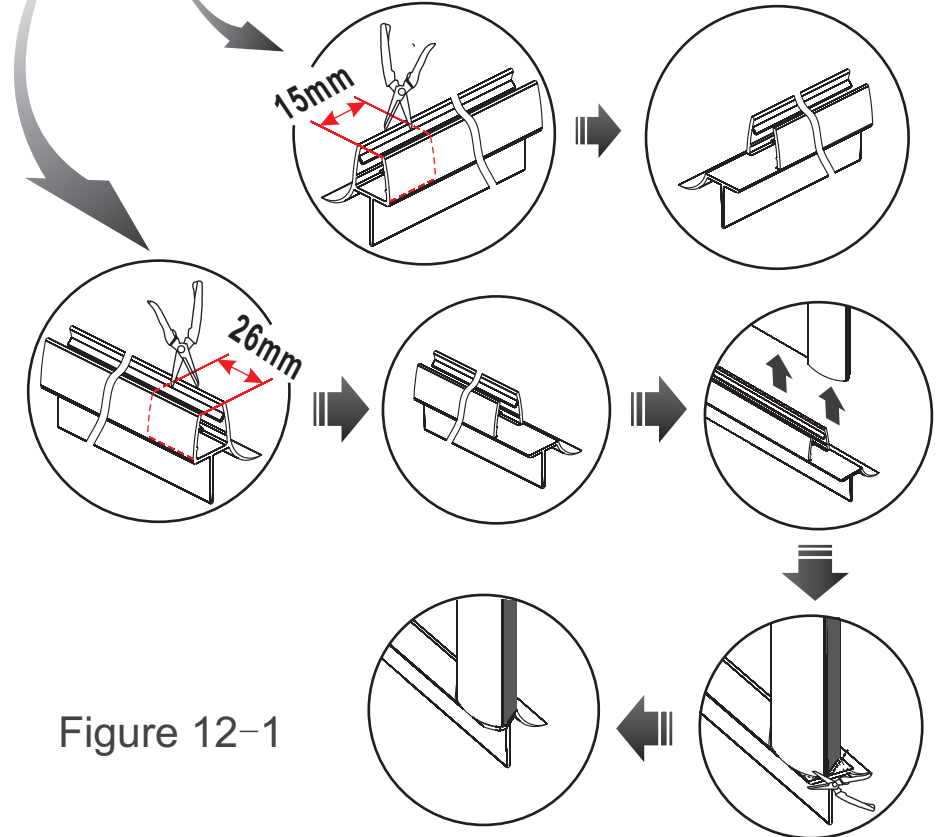


Figure 12-1



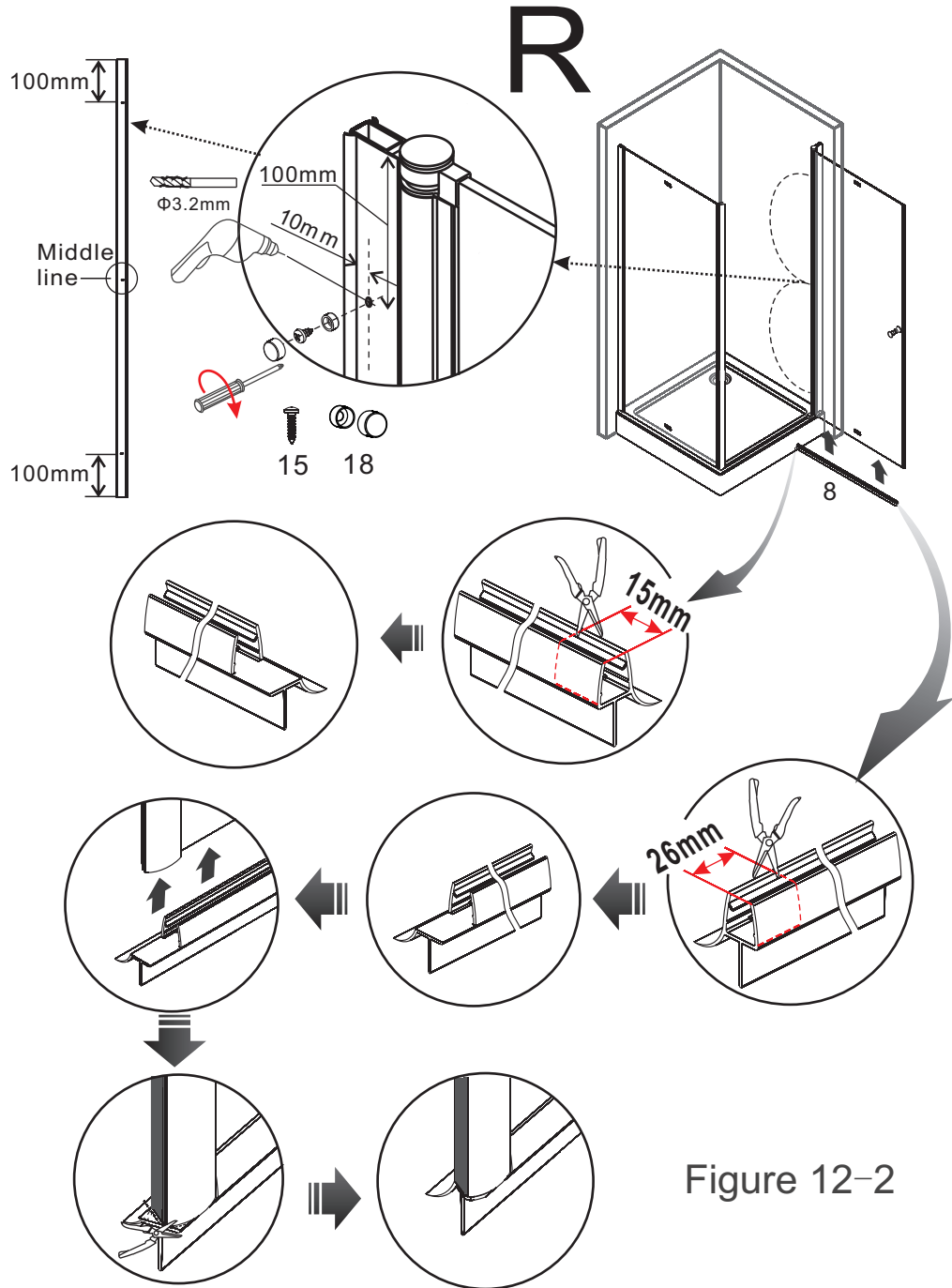


Figure 12-2

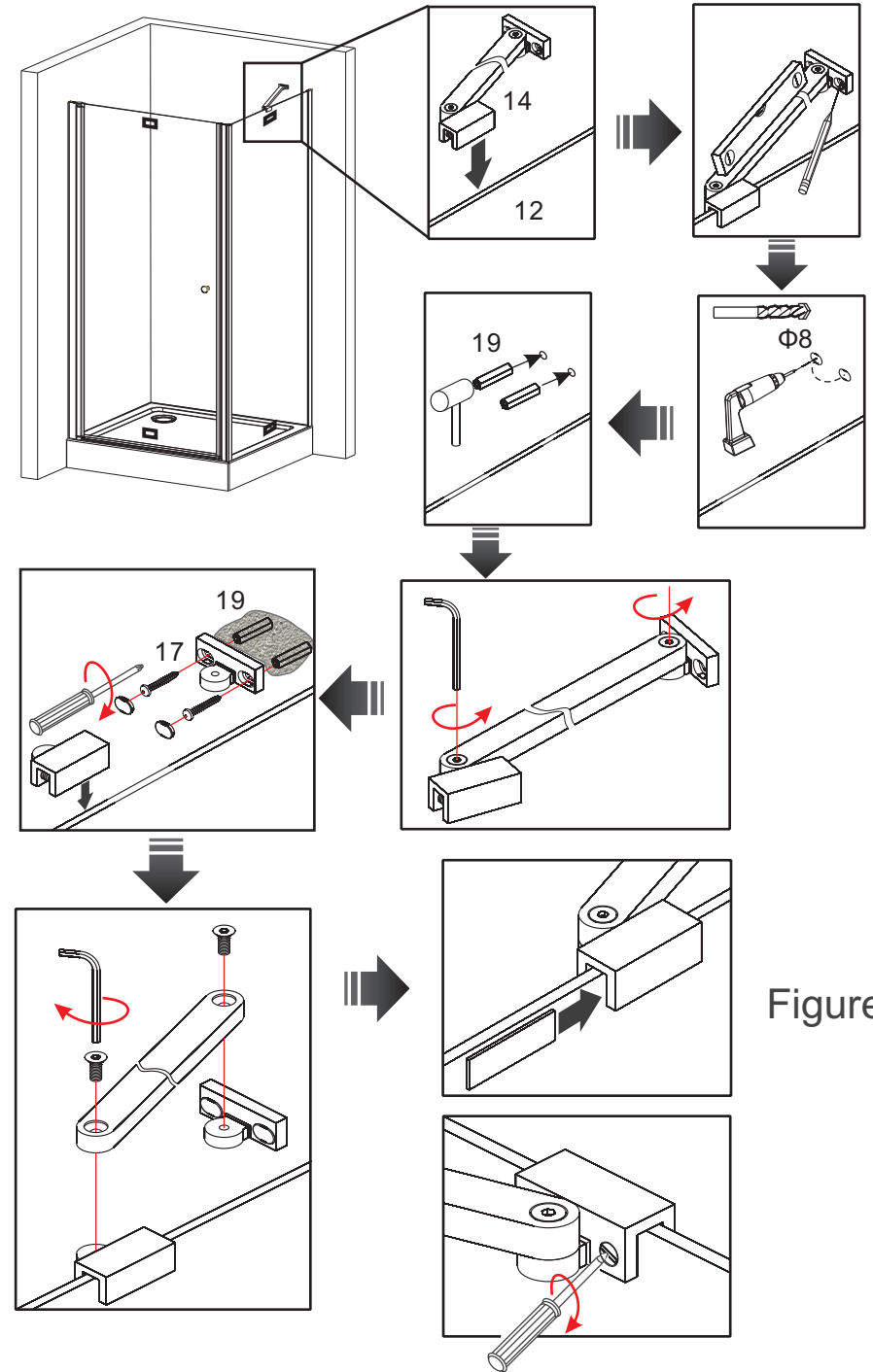


Figure 13



24 Hours

Note:
Allow 24 hours for
silicone to dry.

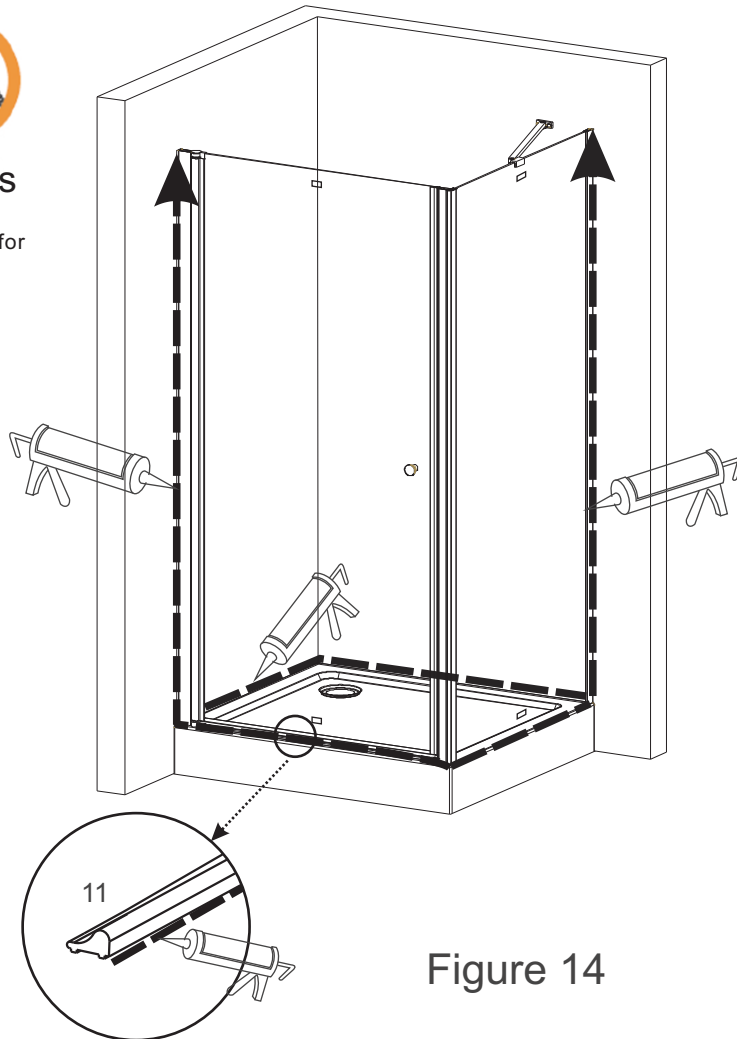


Figure 14

<p>Do not let the child, the old people, or the costive people enter the shower room independently.</p>	<p>Please do not climb up the shower room or hanging the heavy item on it.</p>	<p>Please do not rap the shower room, with the hard friction, in order to avoid breakage.</p>
<p>To avoid tumble, please pay attention the high-low variance when enter the shower room.</p>	<p>To avoid injury, please do not put the hand in the crack of door when enter the shower room.</p>	<p>In the bathtub usually have the soapy water, easy to slip, please be careful!</p>
<p>The shower room should be maintain ventilates good, in order to avoid moldy or peculiar smell because of the moisture keep in it for a long time.</p>	<p>Please use the neutral liquid detergent and the soft cloth washes and rubs the shower room, do not use the acidity, the alkalinity detergent, the alcohol, the acetone, the ammonia and so on the organic solvent, it's forbidden to use the eradicator.</p>	<p>The glass sealant falls off can cause the water leakage, therefore, once falls off, please make up by all means.</p>